



MASON INDUSTRIES, Inc.
Manufacturers of Vibration Control Products

350 Rabro Drive
Hauppauge, NY 11788
631/348-0282
FAX 631/348-0279
Info@Mason-Ind.com
www.Mason-Ind.com

2101 W. Crescent Ave., Suite D
Anaheim, CA 92801
714/535-2727
FAX 714/535-5738
Info@MasonAnaheim.com
www.MasonAnaheim.com

**WJ2, WJ3,
ML, MLS, R,
RL, RC & RCL**

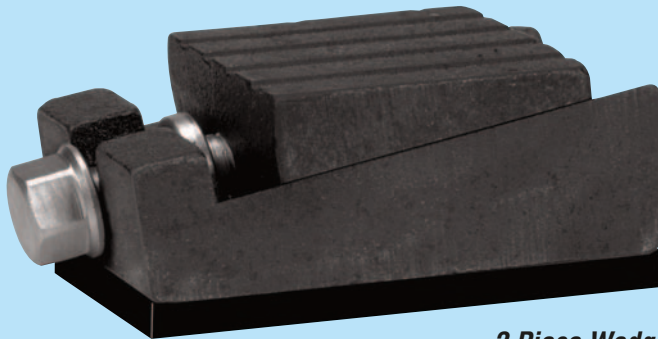
**WEDGE JACKS
& LEVELING
MOUNTS**

BULLETIN WJ-222-1

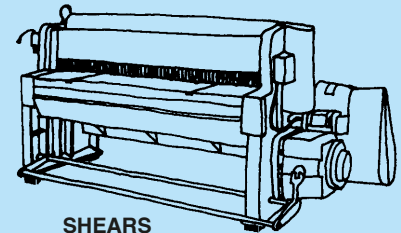
WJ- Machine Leveling Wedge Jacks

Of all the leveling devices, Wedge Jacks provide the most rigid support after adjustment. All jacks have mating parts with spherical seats that allow automatic adjustment for up to 7° of transverse compensation for uneven floors. The wedges move readily in response to turning the adjustment bolts.

Jacks are furnished without pads for leveling only or with 1/2" (13mm) thick oil resistant pads underneath to provide friction and vibration isolation. Economical two piece jacks have no provision for bolting. Equipment moves front to back during adjustment. Three piece jacks have a through hole for bolting and equipment moves only up and down during adjustment.



**2 Piece Wedge Jack
with Optional Pad**

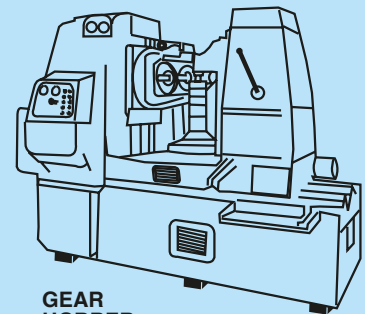


SHEARS

WJ2- 2 piece Wedge Jacks- No Bolting

Type	Capacity (lbs) (kgs)	Length (in)(mm)	Width (in)(mm)	Height		Rise (in)(mm)
				No Pad (in)(mm)	with Pad (in)(mm)	
WJ2A	3000 1361	6 152	3 1/2 89	1 1/8 29	-	1/4 6
WJ2AP*	3000 1361	6 152	3 1/2 89	-	1 5/8 41	1/4 6
WJ2B	9000 4082	6 152	3 1/2 89	2 1/8 54	-	3/8 10
WJ2BP*	9000 4082	6 152	3 1/2 89	-	2 5/8 67	3/8 10

* 'P' indicates with 1/2" Neoprene Pad.



**GEAR
HOBBER**

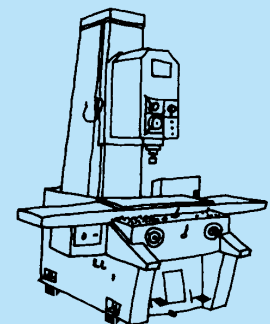


**3 Piece
Wedge Jack**

WJ3- 3 piece Wedge Jacks- Provision for Bolting

Type	Capacity (lbs)(kgs)	Length (in)(mm)	Width (in)(mm)	Height		Max. Anchor		Rise (in)(mm)
				No Pad (in)(mm)	with Pad (in)(mm)	Bolt Dia. (in)(mm)		
WJ3A	15,000 6804	6 152	3 1/2 89	2 1/2 64	-	1 25	1/4 6	
WJ3AP*	15,000 6804	6 152	3 1/2 89	-	3 76	1 25	1/4 6	
WJ3B	20,000 9072	6 5/8 168	3 1/2 89	2 3/4 70	-	1 1/4 32	3/8 10	
WJ3BP*	20,000 9072	6 5/8 168	3 1/2 89	-	3 1/4 83	1 1/4 32	3/8 10	

* 'P' indicates with 1/2" Neoprene Pad.



VERTICAL MILL

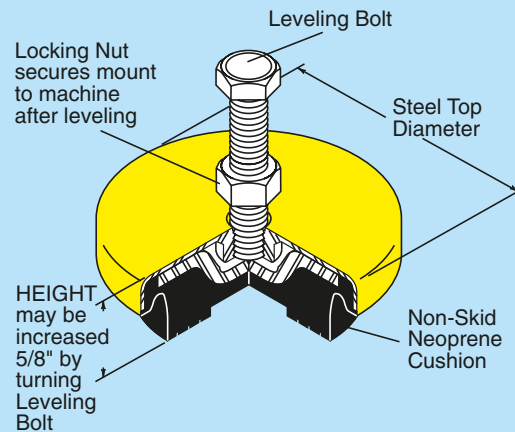
ML- Leveling and Shock Mounts

This classic style of machinery leveling mount is the most widely accepted and has been in use for over 40 years. The simplicity of up to 5/8" (16mm) leveling with a single bolt per location while providing shock and vibration isolation solves many problems. Friction is developed by the neoprene element, eliminating the need for bolting to the floor. The mounting is locked to the machine leg so it travels to a new location with the machine. When production lines must be rearranged, this reduces downtime. Typical applications are punch presses, brakes, shears, lathes, milling machines, injection molding machines, etc.



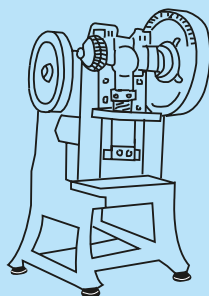
MASON-GRIP MOUNTS-

- Provide Friction and Eliminate the Need for Bolting to the Floor
- Travel with the Machine for Ease of Relocation
- Provide a Means of Leveling up to 5/8" (16mm)
- Reduce Impact to the Structure
- Reduce Shock to the Machine Frame
- Lower Noise Levels by Reducing Noise Radiated from the Floor
- Reduce Worker Fatigue
- Last Indefinitely

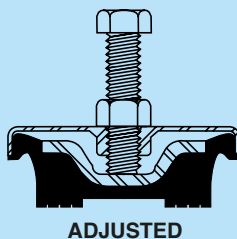
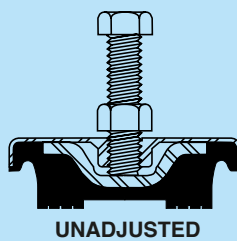


TYPE ML DIMENSIONS and LOAD RATINGS

Type & Size	Capacity Range (lbs) (kgs)	Steel Top Diameter (in) (mm)	Height (in) (mm)	Leveling Bolt	Bolt Length (in) (mm)
ML-3	100-500 46-226	3 1/2 90	1 1/8 28	1/2"-13	3 1/2 90
ML-5	500-1000 226-453	5 125	1 3/4 45	1/2"-13	5 125
ML-6	1000-4000 453-1814	6 1/4 160	1 3/4 45	3/4"-10	5 125
ML-8	4000-12000 1814-5443	8 200	2 50	1"-8	8 200



PUNCH PRESS



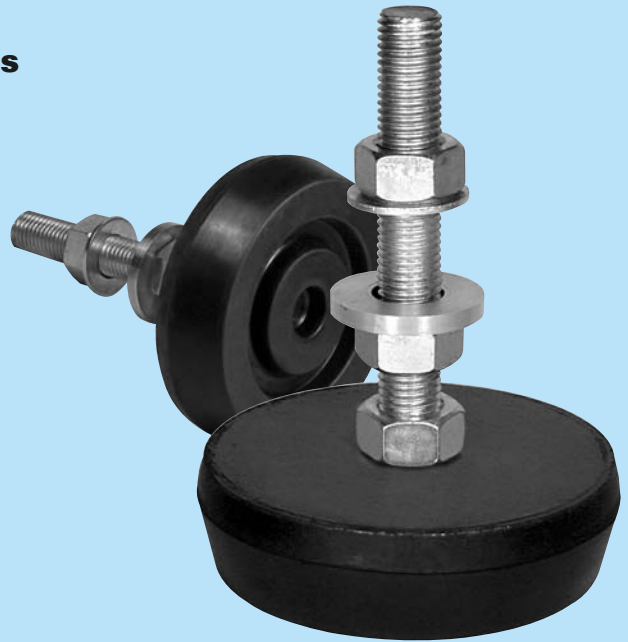
ML INSTALLATION INSTRUCTIONS

1. Raise machine and slide mount under foot.
2. Insert adjusting bolt through clearance hole in foot and engage threads in mount.
3. Lower machine onto mounts.
4. Turn adjusting bolt until it strikes internal plate.
5. Level machine by taking additional turns on the adjusting bolt in low corners or sides.
6. Tighten lock nut against machine base. **IMPORTANT:** Maximum adjustment is 5/8 inch (16mm). **DO NOT EXCEED THIS.** If additional height is required, use blocks or shims.

MLS- Neoprene Machine Leveling Mounts

Stud type leveling mounts fill a need for a greater leveling range and are recommended for as much as 2" (50mm) of lift.

- Thick neoprene cushion
 - Resists oil
 - Provides friction (No bolting required)
 - Isolates impact and vibration
- Long adjustment bolt will pass thru thick bases
- Zinc plated hardware
- Steel load transfer plate
- Adjustment from below is always accessible
- Cut off stud to fit in blind base holes
- Five sizes to match loads of 50 to 4000 lbs (23 to 1814 kg/cm²) per mounting



TYPE MLS DIMENSIONS and LOAD RATINGS

Type	Load Range per Mount (lbs) (kgs)	Diameter D (in)(mm)	Base Thickness (in)(mm)	Bolt Diam. (in)(mm)	Usable Bolt Length L (in)(mm)	Leveling Range (in)(mm)
MLS-250	50-250 23-113	2 3/8 60	3/4 19	3/8 10	3 76	1 25
MLS-500	250-500 113-227	3 76	7/8 22	1/2 13	4 102	1 25
MLS-1000	500-1000 227-454	3 3/8 86	1 25	1/2 13	4 102	1 25
MLS-2000	1000-2000 454-907	5 127	1 1/4 32	5/8 16	5 127	1 25
MLS-4000	2000-4000 907-1814	6 3/4 171	1 3/8 35	5/8 16	6 152	1 25

UPPER STANDARD NUT AND WASHER FOR LOCKING ADJUSTMENT

LOWER STANDARD NUT AND WASHER FOR LEVELING

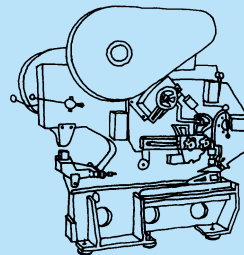
MLS MOUNT

Base Thickness

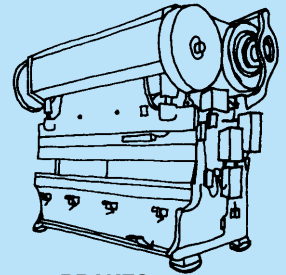
LARGE NUT

Steel Top Diameter

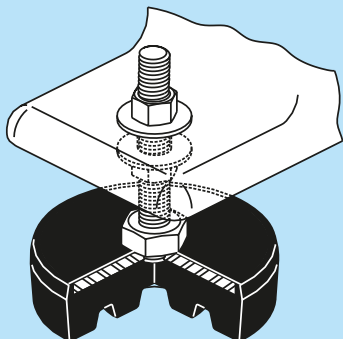
Non-Skid Neoprene Cushion



IRON WORKERS

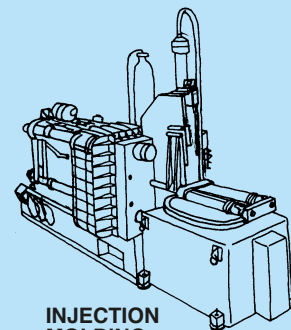


BRAKES



MLS- Installation Instructions

1. Screw stud into mount until it contacts rubber.
2. Tighten large nut against steel top plate to prevent stud from turning.
3. Remove upper standard nut & washer. Run lower standard nut and washer down until just clear of the large nut.
4. Install stud through machine base hole. Use nut under washer to level machine at all mounting locations.
5. When machine is level, place second washer over stud, screw standard nut on top to lock adjustment.



INJECTION MOLDING MACHINES

R,RL, RC, RCL- Neoprene Machine Leveling Mounts and Glides

A Small Handy Leveling Mount Series

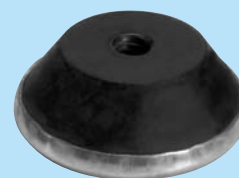
Mountings can be used with or without plated steel glide cups or leveling bolts. Furnished with 3/8-16 or 1/2-13 tapped holes or studs to accommodate large or small holes in the machinery leg.

- Neoprene resists oil, oxygen and ozone.
- Upper plate provides uniform mounting loading.
- May be bolted directly without leveling for economy.
- Without glide cup, friction keeps equipment in place
- With glide cup, equipment can slide on vinyl floors or short fibre carpet.
- Purchase with leveling stud (L) when leveling is required.
- A great isolator for small high speed equipment.

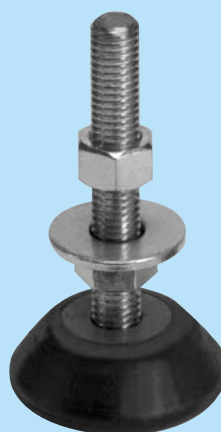
R- Tapped Mount Only



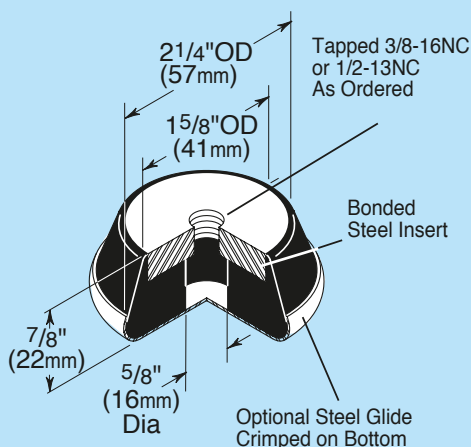
RC- Tapped Mount with Glide Cup



RL- Mount with Leveling Stud, Nut and Washer



RCL- Mount with Glide Cup and Leveling Stud



All Studs 2 1/2" (64mm) Long Above Mount

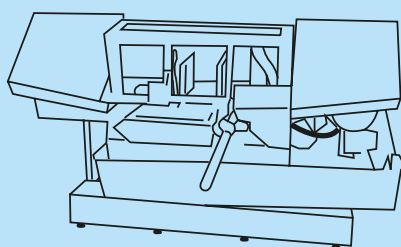
TYPE R, RL, RC & RCL LOAD RATINGS

Type & Size	Max Load (lbs) (kgs)	Color Code	Tapped Hole
Without Steel Glide Cup			
R-4 or RL-4	150 68	Green	3/8-16
R-4 or RL-4	250 113	Red	3/8-16
R-4 or RL-4	400 181	White	3/8-16
R-5 or RL-5	150 68	Green	1/2-13
R-5 or RL-5	250 113	Red	1/2-13
R-5 or RL-5	400 181	White	1/2-13
R-5 or RL-5	600 272	Yellow	1/2-13
R-5 or RL-5	1000 454	Blue	1/2-13

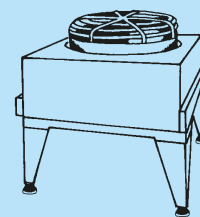
Type & Size	Max Load (lbs) (kgs)	Color Code	Tapped Hole
With Steel Glide Cup			
RC-4 or RCL-4	150 68	Green	3/8-16
RC-4 or RCL-4	250 113	Red	3/8-16
RC-4 or RCL-4	400 181	White	3/8-16
RC-5 or RCL-5	150 68	Green	1/2-13
RC-5 or RCL-5	250 113	Red	1/2-13
RC-5 or RCL-5	400 181	White	1/2-13
RC-5 or RCL-5	600 272	Yellow	1/2-13
RC-5 or RCL-5	1000 454	Blue	1/2-13



CUT OFF MACHINES



BANDSAW



CONDENSING UNIT